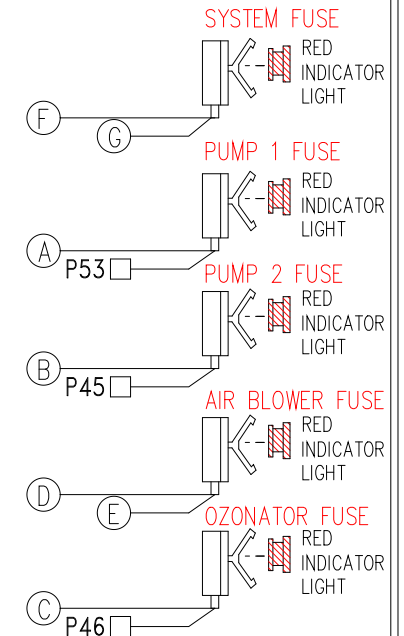
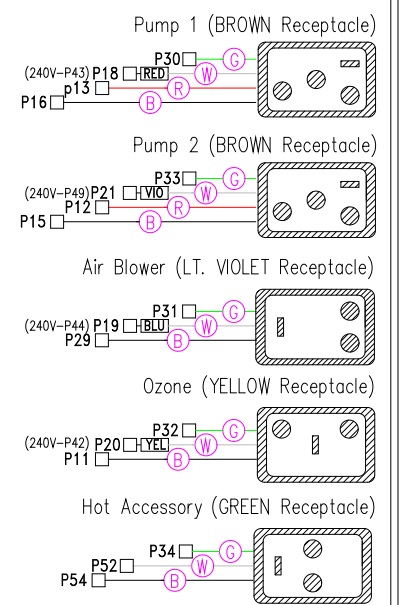
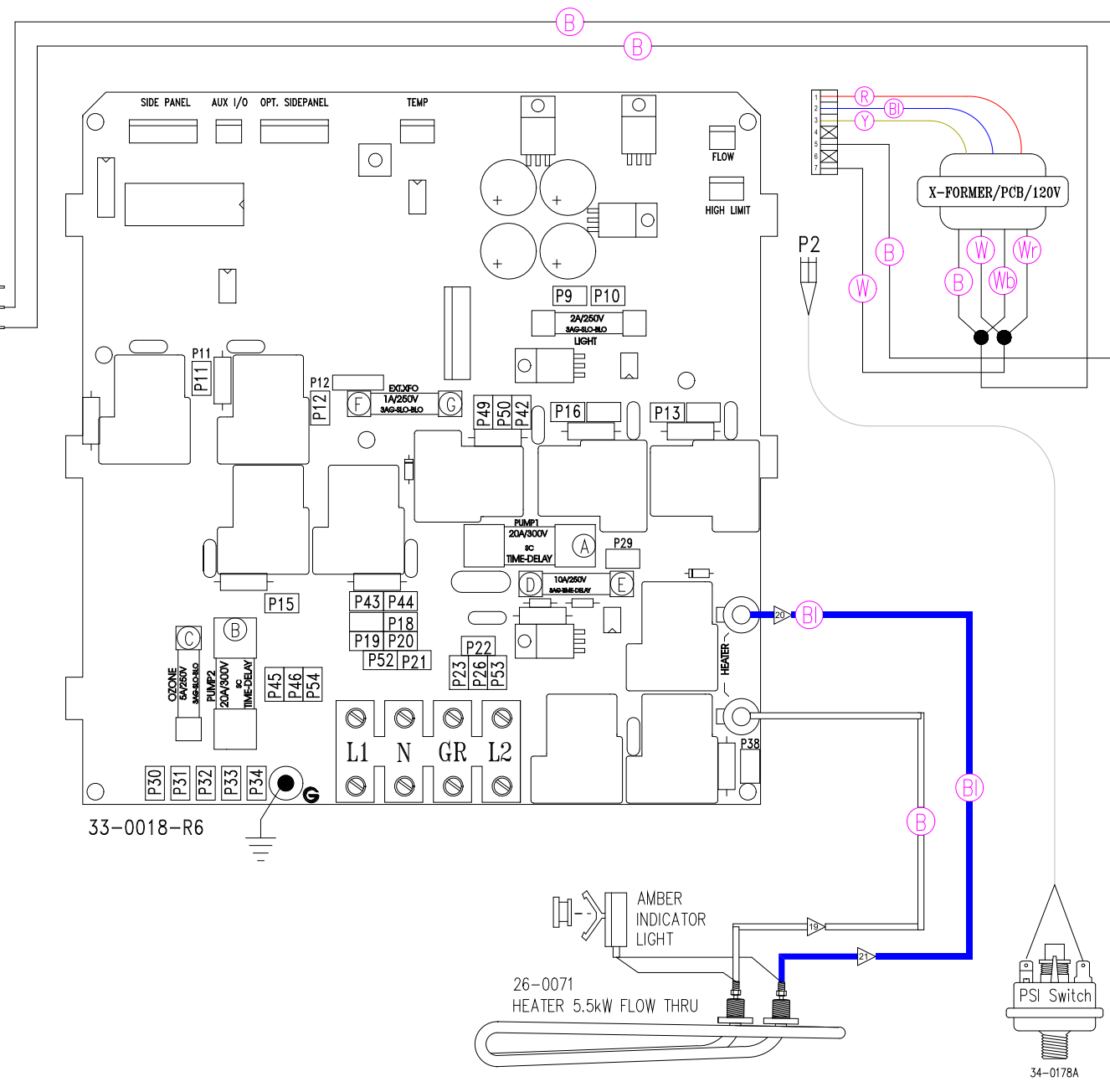
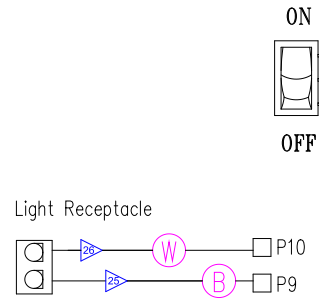


LEGEND	
□	- 1/4" QUICK CONNECT
▢	- 1/4" PIGGYBACK
⊞	- FORK CONNECTOR
○	- RING CONNECTOR
◻	- SOCKET CONNECTOR
△	- PIN CONNECTOR



HYDRO-QUIP  
CORONA, CA (951) 273-7575

Manufacture Notes: EX: RED - DENOTES THE COLOR OF HEAT SHRINK USED.

Dwg. No.  
**H556A0-KPQSY**

Drawn  
MBS  
Date  
07.24.07  
Diagram  
No. 6706D

Rev  
1  
Wire Color Code  
B - Black G - Green  
Br - Brown Bl - Blue  
R - Red V - Violet  
O - Orange W - White  
Y - Yellow Gr - Gray

⚠ USE ONLY COPPER CONDUCTORS